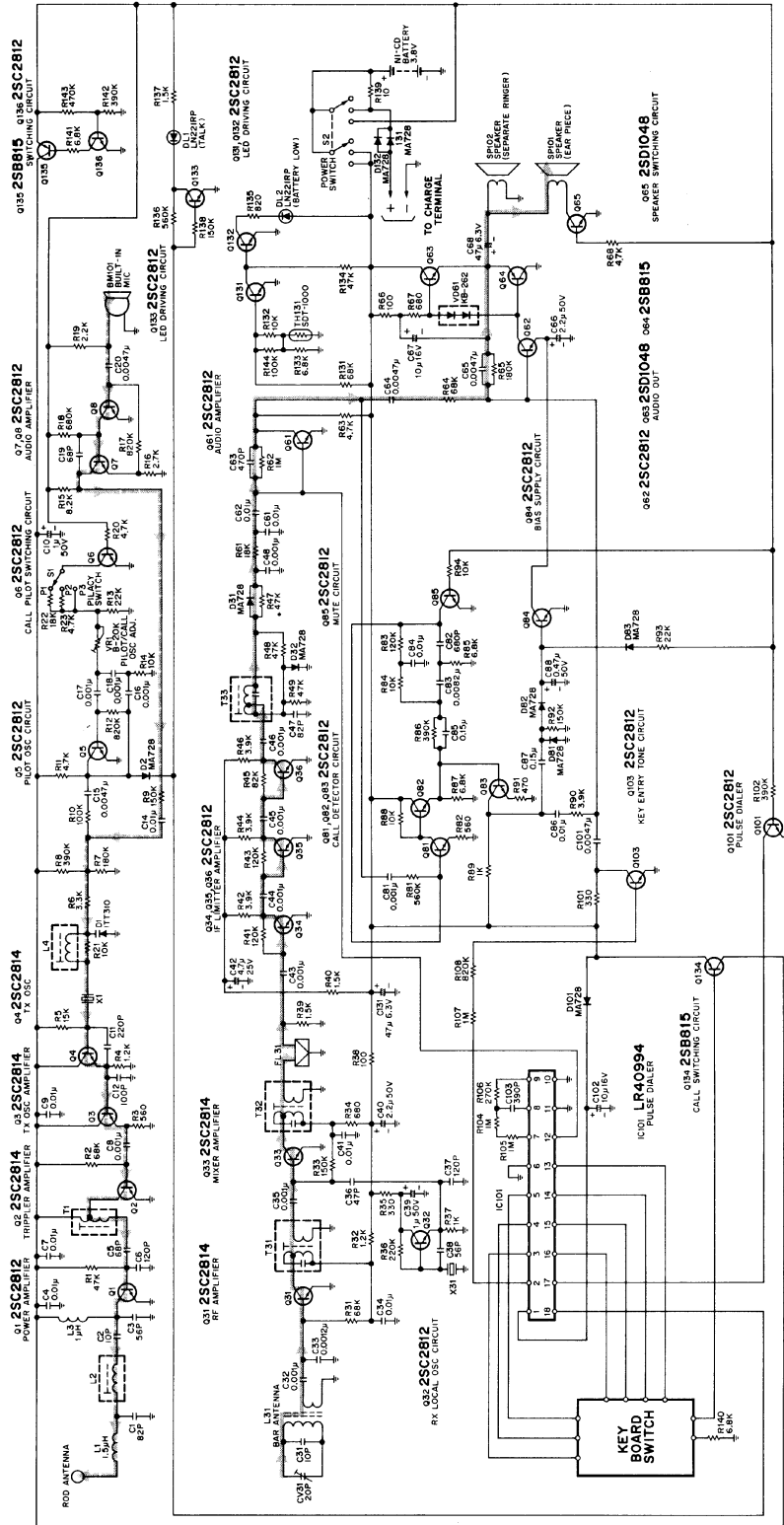


SCHEMATIC DIAGRAM OF HANDSET

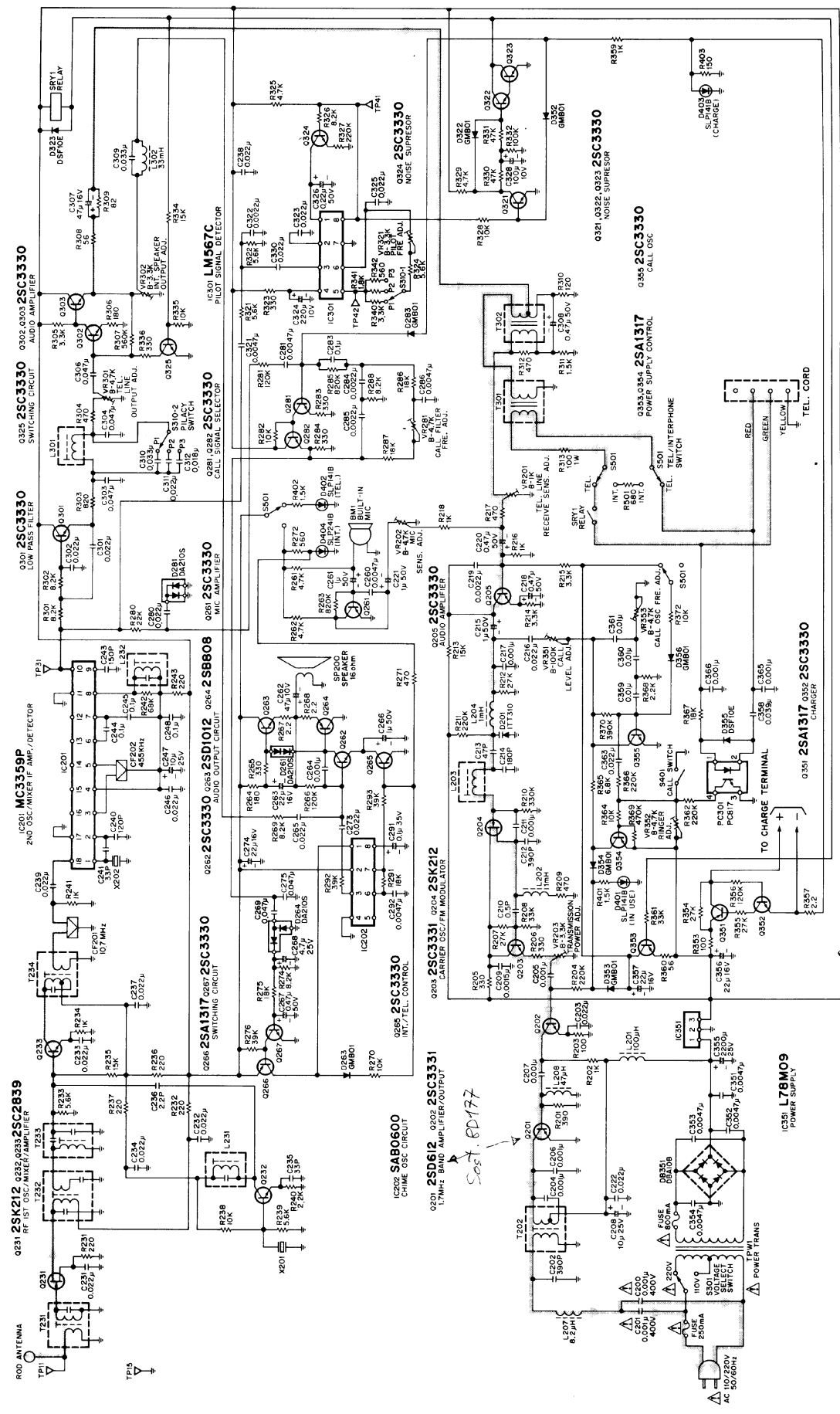


CLT 35A

**SANYO**  
SANYO Electric Co., Ltd.

# SCHEMATIC DIAGRAM OF BASE UNIT

Tel. Sanyo CLT 35A Mk2



Nb: tegare VR 281 x continue scama celtin base